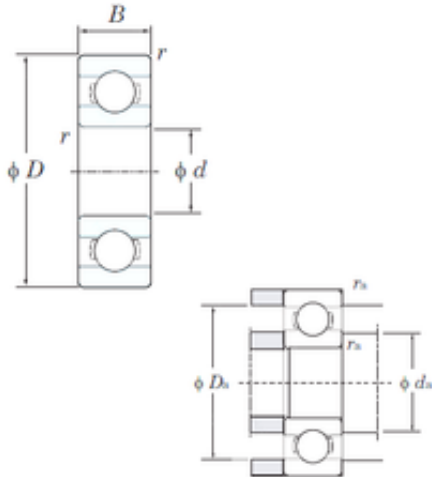




# NTN BEARING-BOWER CORP.



NSK/Koyo/NTN/F-a-G Deep Groove Ball  
 Bearing 607 609 6201 6203 6205 6301 6303 6305  
 Machine Parts Bearing

Bearing No. 607

607 Bearing 2D drawings and 3D CAD models

Size	7x19x6 mm
Bore Diameter	7 mm
Outer Diameter	19 mm
Width	6 mm
d	7 mm
D	19 mm
B	6 mm
C	6 mm
r min.	0,3 mm
r1 min.	0,3 mm
da min.	9 mm
Da max.	17 mm
ra max.	0,3 mm
Weight	0,0076 Kg
Basic dynamic load rating (C)	2,6 kN
Basic static load rating (C0)	1,05 kN
(Grease) Lubrication Speed	40000 r/min
(Oil) Lubrication Speed	47000 r/min
Category	Single Row Ball Bearings
Inventory	0.0
Manufacturer Name	KOYO
Minimum Buy Quantity	N/A
Weight / Kilogram	0
Product Group	B00308



## NTN BEARING-BOWER CORP.

Enclosure	Open
Precision Class	ABEC 1   ISO P0
Maximum Capacity / Filling Slot	No
Rolling Element	Ball Bearing
Snap Ring	No
Internal Special Features	No
Cage Material	Steel
Internal Clearance	C0-Medium
Inch - Metric	Metric
Long Description	7MM Bore; 19MM Outside Diameter; 6MM Outer Race Width; Open; Ball Bearing; ABEC 1   ISO P0; No Filling Slot; No Snap Ring; No Internal Special Features; C0-Medium Internal Clearance; Steel Cage
Other Features	Deep Groove
Category	Single Row Ball Bearing
UNSPSC	31171504
Harmonized Tariff Code	8482.10.50.68
Noun	Bearing
Keyword String	Ball
Manufacturer URL	<a href="http://www.koyousa.com">http://www.koyousa.com</a>
Weight / LBS	0.0168
Bore	0.276 Inch   7 Millimeter
Outer Race Width	0.236 Inch   6 Millimeter
Outside Diameter	0.748 Inch   19 Millimeter
Inner Race Width	0 Inch   0 Millimeter
Bearing No.	607
r(min)	0.3
Cr	2.95
C0r	0.89
Cu	0.040



## NTN BEARING-BOWER CORP.

f0	12.3
Grease lub.	40000
Oil lub.	47000
da(min)	9
Da(max)	17
ra(max)	0.3
(Refer.)Mass(g)	7.6